



INSTRUCTION MANUAL FOR

Conversion Kit for Vacuum Valve type HS-ISO-VAC

Functional Description, Marking and Installation Instruction

Manual no.: 1199-235 Revision 0 – October, 2012

CUSTOMER INFORMATION

OWNER:	HULL NO.:	PRES-VAC REF. NO.:
--------	-----------	--------------------

PRES-VAC ENGINEERING ApS
SVANEVANG 3-5
DK-3450 ALLERØD
DENMARK

PHONE: +45 4817 4055
TELEFAX: +45 4817 1788
E-Mail: aftersales@pres-vac.com

CONTENTS

1. Functional Description	4
1.1. General	4
1.2. Design.....	4
1.3. Product Suitability	4
1.4. Function	4
1.5. Capacity	4
1.6. Service Restrictions.....	4
1.7. Maintenance.....	4
2. Installation Instructions.....	5
2.1. Installation.....	5
3. Marking	7
4. Drawing	8

Enclosures:

- (1) Type Certificate
- (2) Certificate of Conformity

1. FUNCTIONAL DESCRIPTION

1.1. General

The purpose of this conversion kit is to upgrade in service vacuum valve with or without integrated gas-freeing cover from apparatus group IIA to apparatus group IIB. The upgrading is done by replacing the existing flame screen with a new flame screen approved for apparatus group IIB. The new flame screen has same pressure drop across it as the existing flame screen, why the capacity after upgrading remains the same.

1.2. Design

The conversion kit consists of a duplex IIB wire mesh element flame screen specifically design for installation on Pres-Vac vacuum valve type HS-ISO-VAC. Correct installation of the conversion kit is tested, by check-lifting the movable parts, by means of pushing the check lift knob. The check lift is designed to be self-closing.

WARNING!

The attending crew must be familiar with the normal friction in the system in order to evaluate if the parts move without friction. Being able push the check lift knob itself by applying great force does not mean that the moveable body is freely moving.

1.3. Product Suitability

The conversion kit suitable for installation on Pres-Vac vacuum valve type HS-ISO-VAC and is in compliance with the requirements of IMO and MED including applied standards IMO 677/1009/1324, ISO 15364:2000 & 2007, EN12874, and EN ISO 16852. The standard provides general guidelines and, in particular, recommendations for maintenance.

1.4. Function

The function of the conversion kit is in case of fire to prevent passage of flames into the cargo tank of flammable vapour and gas with a MESG value $\geq 0,65$ equivalent to apparatus group IIB.

1.5. Capacity

The conversion kit is design the have the capacity as the current vacuum valve type HS-ISO-VAC, which means that no change of the discharge rates is required.

1.6. Service Restrictions

For service restrictions see CE or Type approval certificate.

1.7. Maintenance

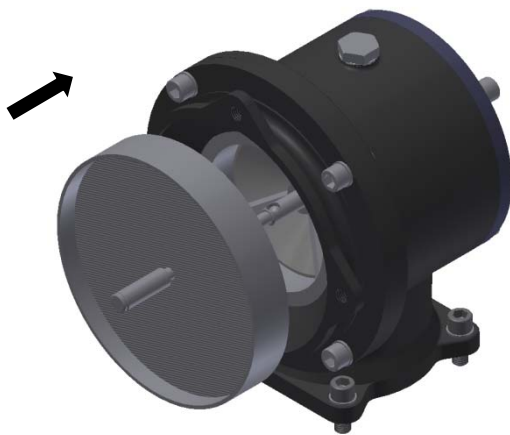
Maintenance procedures are described in the Pres-Vac vacuum valve type HS-ISO-VAC instruction manual.

2. INSTALLATION INSTRUCTIONS

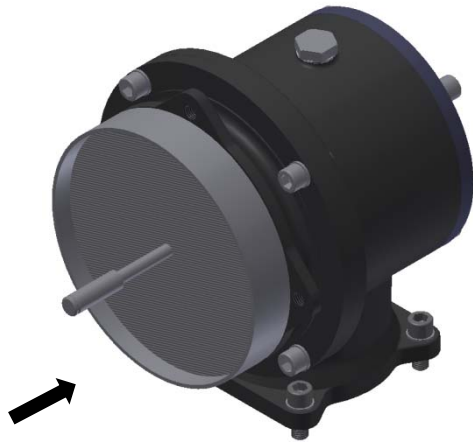
2.1. Installation

Remove all packing material.

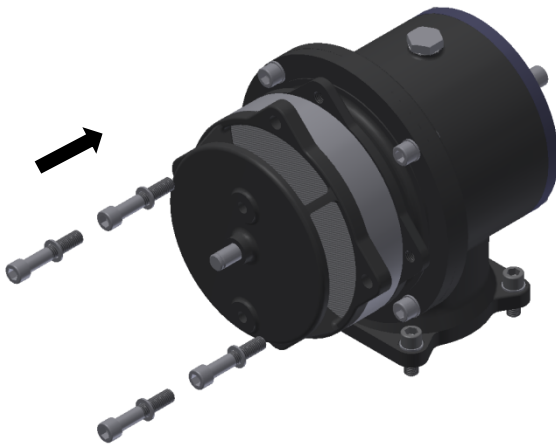
	<p>The Vacuum Valve type HS-ISO-VAC before installation of conversion kit.</p>
	<p>1. Unscrew bolts and remove washers and the flame screen cover.</p> <p>The bolts, washer and spindle will not be used again.</p> <p>Note: DO NOT unscrew the vac-seat / housing bolts</p>
	<p>2. The flame screen will come down, lift up the spindle and mesh element 3mm and slice it to the side and it will come down to.</p> <p>Clean the connection flange with a clean cloth, if dirty.</p>



3. Insert the new spindle through the new mesh element and mount the head of the spindle into the slot in the valve seat as shown on the picture on the left.



4. Slide the new mesh element up and flush it to the flange of valve house.



5. Mount the flame screen cover with the new bolts and washers

The bolts have to be secured by a suitable adhesive, such as PRES-VAC part no: 1323-8 Loctite no. 243

Check that the spindle can run up and down while you tighten the four bolts.



6. Check-lift the valve to verify unobstructed movement of the vacuum disc.

3. MARKING

The conversion kit is marked with information in accordance with IMO and MED requirements, supplementing the information already marked on the valve. The information is engraved on a marking plate as illustrated below.

PRES-VAC Engineering

Wire Mesh Element Serial No: _____

IMO MSC/Circ. 677,1009 MSC1 Circ. 1324

Apparatus / Explosion Group: IIB / IIB3

The marking plate is securely fastened on the side of flame screen frame.

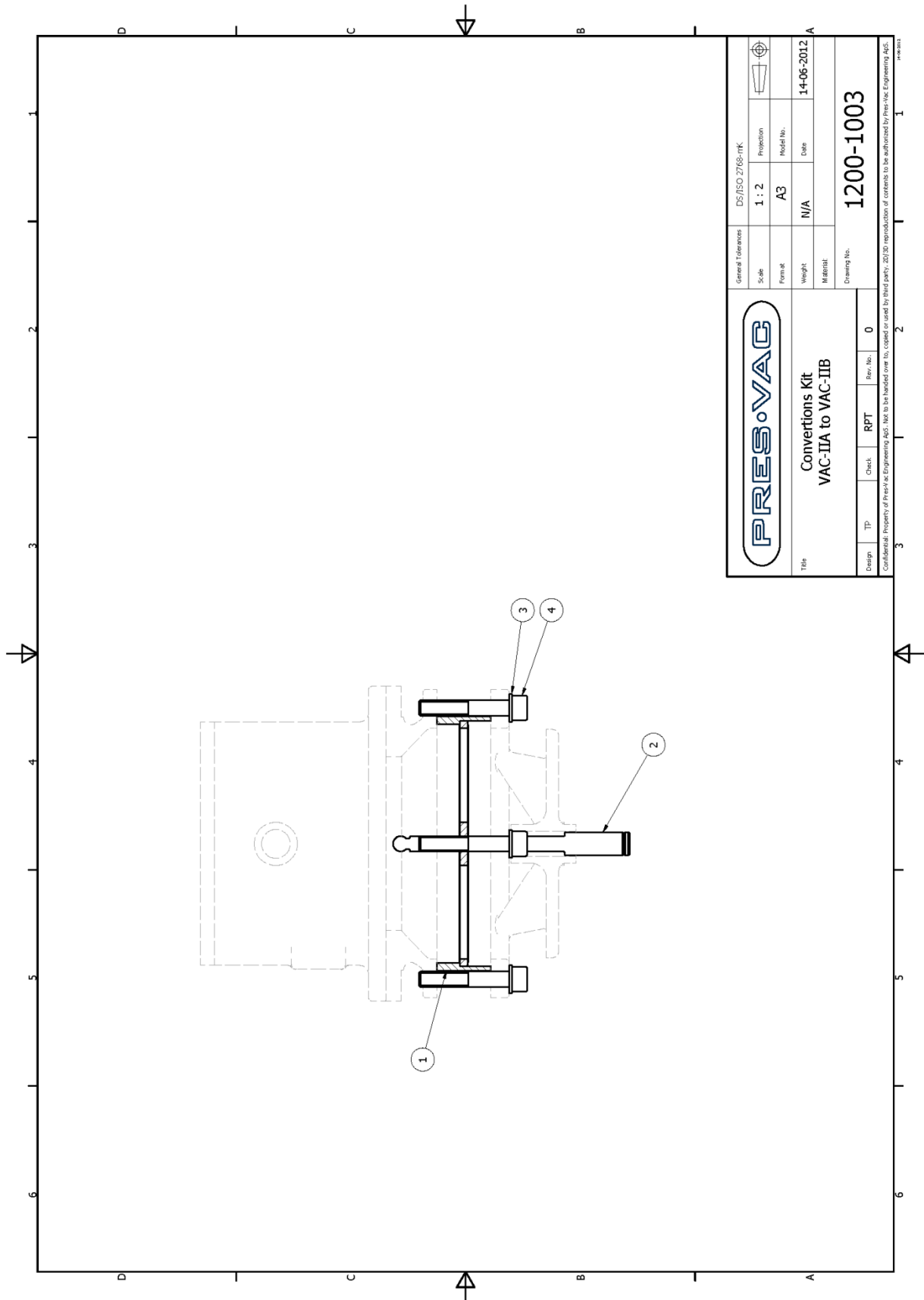
PRES-VAC Engineering

Wire Mesh Element Serial No: _____

IMO MSC/Circ. 677,1009 MSC1 Circ. 1324

Apparatus / Explosion Group: IIB / IIB3

4. DRAWING



		DS/ISO 2768-mK		
		General Tolerances	Scale	
		1 : 2	Production	
		A3	Model No.	
Title		Weight	Date	1200-1003
Conversions Kit VAC-IIA to VAC-IIB		N/A	14-06-2012	
Design TP Check RPT Rev. No. 0		Drawing No.		
Confidential: Property of Pres-Vac Engineering, ApS. Not to be handed over to, copied or used by third party. 2010 reproduction of contents to be authorized by Pres-Vac Engineering ApS.		1200-1003		